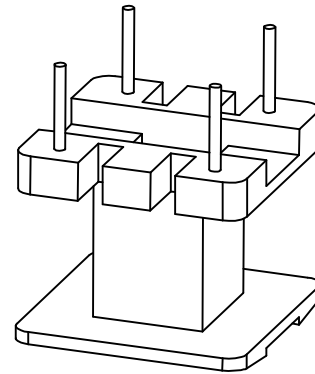
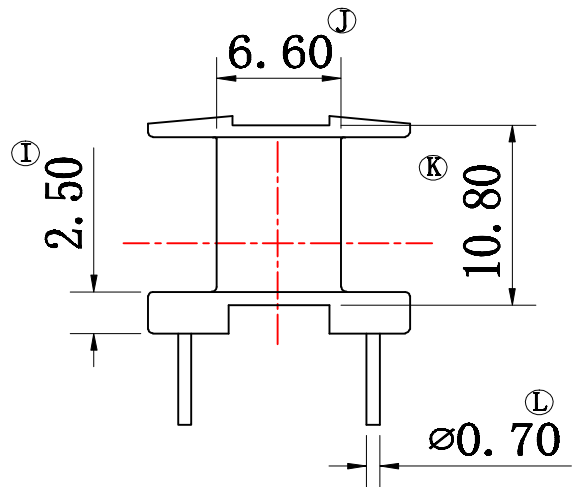
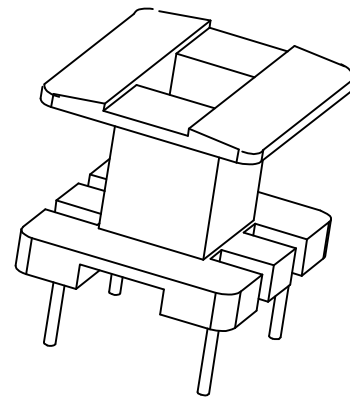
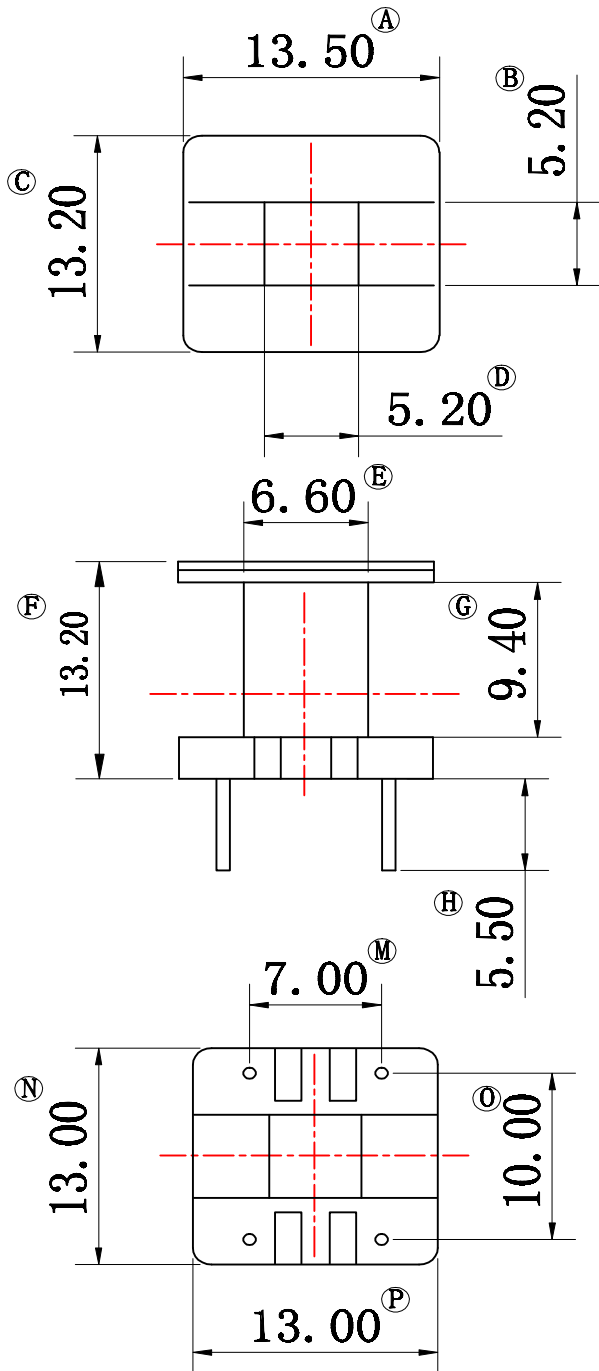


FWB1955-J



| REV | REVISION RECORD | DATE | REV | REVISION RECORD | DATE |
|-----|-----------------|------|-----|-----------------|------|
| A | | | C | | |
| B | | | D | | |

| NAME | EE19 2+2P | MATERIAL | PBT | SCALE | | ANGLE | ± 1° |
|------------------------|-------------|---------------|---|---|-----|-------|------|
| DRAWING NO. | FWB1955-J | PIN MATERIAL | CP WIRE | UNIT | m/m | REV | A |
| TOLERANCE OF PIN PITCH | ± 0.20 | | HAINING FERRIWO ELECTRONICS CO.,LTD. | | | | |
| PIN TENSION LOAD | kg MIN | UL REC: 94V-0 | TEL: +86-573-87088701 FAX: +86-573-87081130 | | | | |
| TOLERANCE: | 0<L≤4: ±0.2 | 4<L≤16: ±0.3 | 16<L≤63: ±0.4 | Web: www.ferriwo.com Email: sales@ferriwo.com | | | |